

(12) **United States Patent**  
**Boyer**

(10) **Patent No.:** **US 9,551,461 B2**  
(45) **Date of Patent:** **Jan. 24, 2017**

(54) **CNG/LNG FILLING STATION**

(71) Applicant: **BOYER, INC.**, Houston, TX (US)

(72) Inventor: **Mark L. Boyer**, Houston, TX (US)

(73) Assignee: **BOYER, INC.**, Houston, TX (US)

(\* ) Notice: Subject to any disclaimer, the term of this patent is extended or adjusted under 35 U.S.C. 154(b) by 383 days.

(21) Appl. No.: **14/328,480**

(22) Filed: **Jul. 10, 2014**

(65) **Prior Publication Data**

US 2015/0013831 A1 Jan. 15, 2015

**Related U.S. Application Data**

(60) Provisional application No. 61/845,212, filed on Jul. 11, 2013.

(51) **Int. Cl.**

**B65B 1/04** (2006.01)  
**F17C 5/02** (2006.01)  
**F17C 5/06** (2006.01)  
**F17C 5/04** (2006.01)

(52) **U.S. Cl.**

CPC . **F17C 5/02** (2013.01); **F17C 5/06** (2013.01);  
**F17C 5/04** (2013.01); **F17C 2221/033**  
(2013.01); **F17C 2223/0123** (2013.01); **F17C**

2223/0161 (2013.01); **F17C 2225/033**  
(2013.01); **F17C 2225/036** (2013.01); **F17C**  
2265/063 (2013.01); **F17C 2265/065**  
(2013.01); **F17C 2270/0171** (2013.01); **F17C**  
2270/0178 (2013.01)

(58) **Field of Classification Search**

CPC ..... **F17C 5/02**; **F17C 5/04**; **F17C 5/06**;  
**F17C 2270/0139**; **F17C 2265/065**; **F17C**  
2225/0123; **F17C 2225/0161**  
See application file for complete search history.

(56) **References Cited**

U.S. PATENT DOCUMENTS

9,404,623 B2\* 8/2016 Kapoor ..... **F17C 13/083**  
2012/0318406 A1\* 12/2012 Cajiga ..... **B60S 5/02**  
141/98

\* cited by examiner

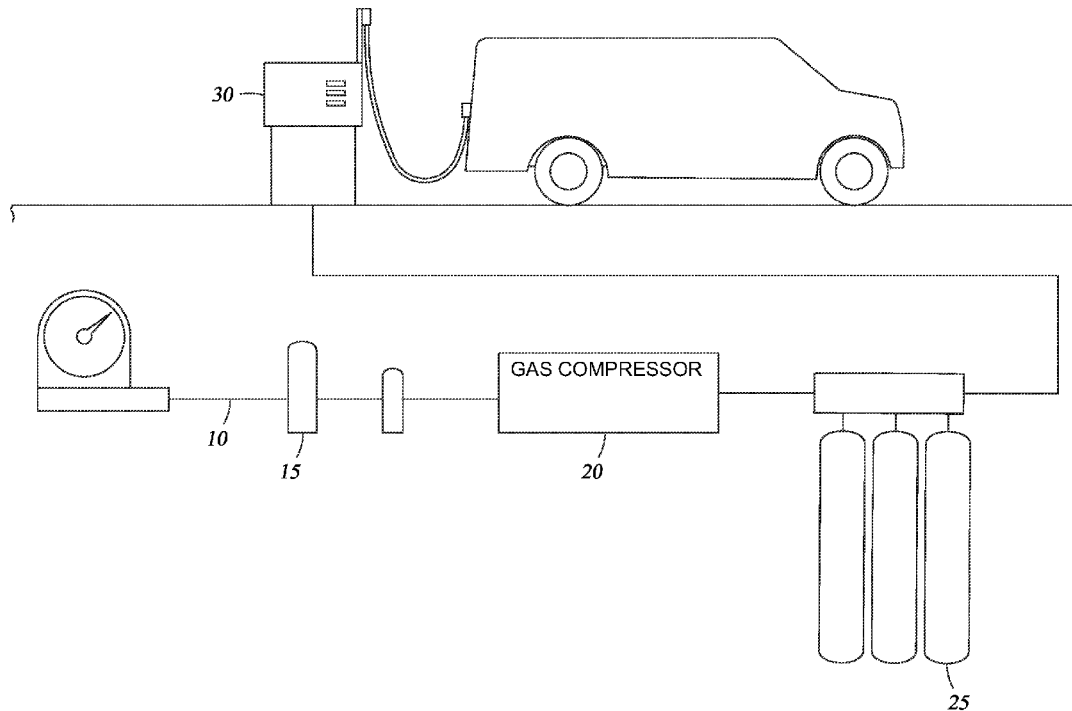
*Primary Examiner* — Jason K Niesz

(74) *Attorney, Agent, or Firm* — Patterson & Sheridan, L.L.P.

(57) **ABSTRACT**

A method and apparatus for a natural gas filling station comprising a dispenser; a structure covering the dispenser and having a canopy top; at least one tank disposed on the canopy top, the tank having at least one gas therein comprising CNG or LNG; and at least one line between the tank and the dispenser for communicating the gas between the tank and the dispenser.

**7 Claims, 3 Drawing Sheets**



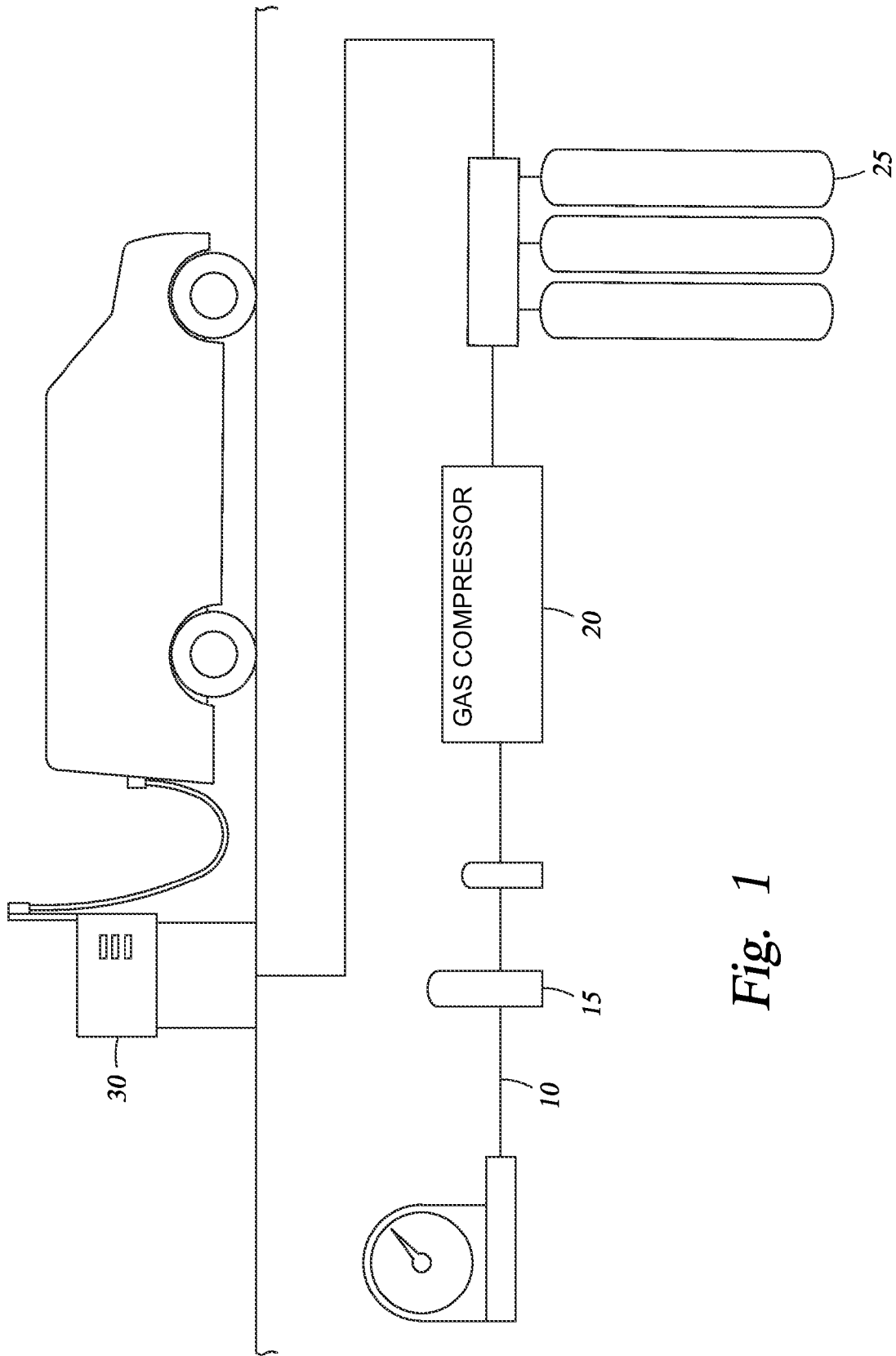


Fig. 1

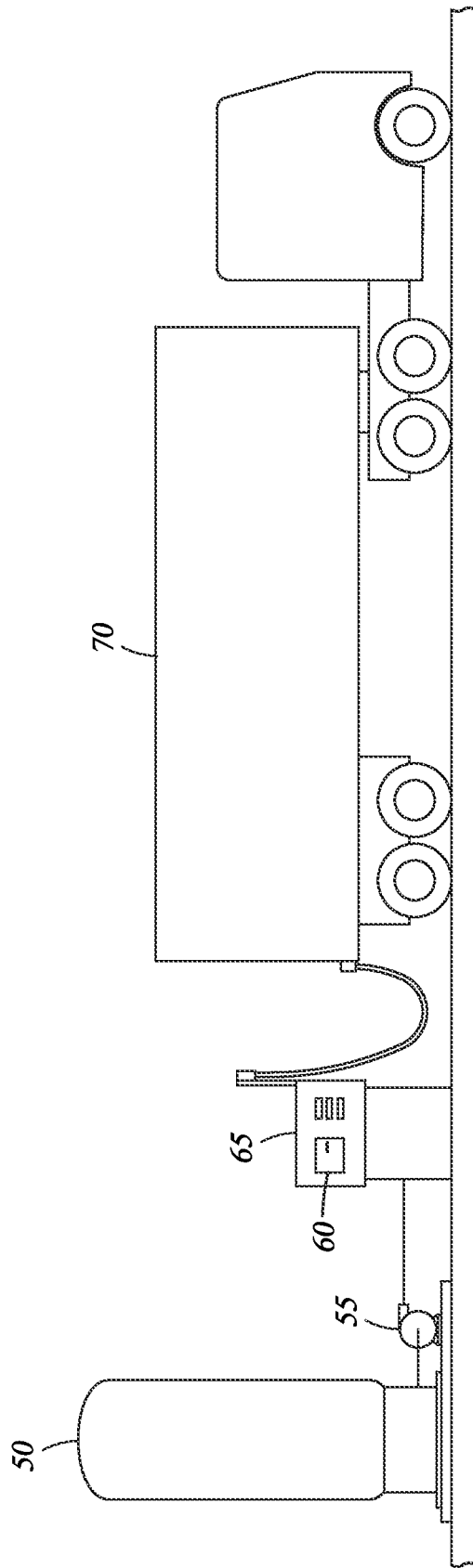


Fig. 2

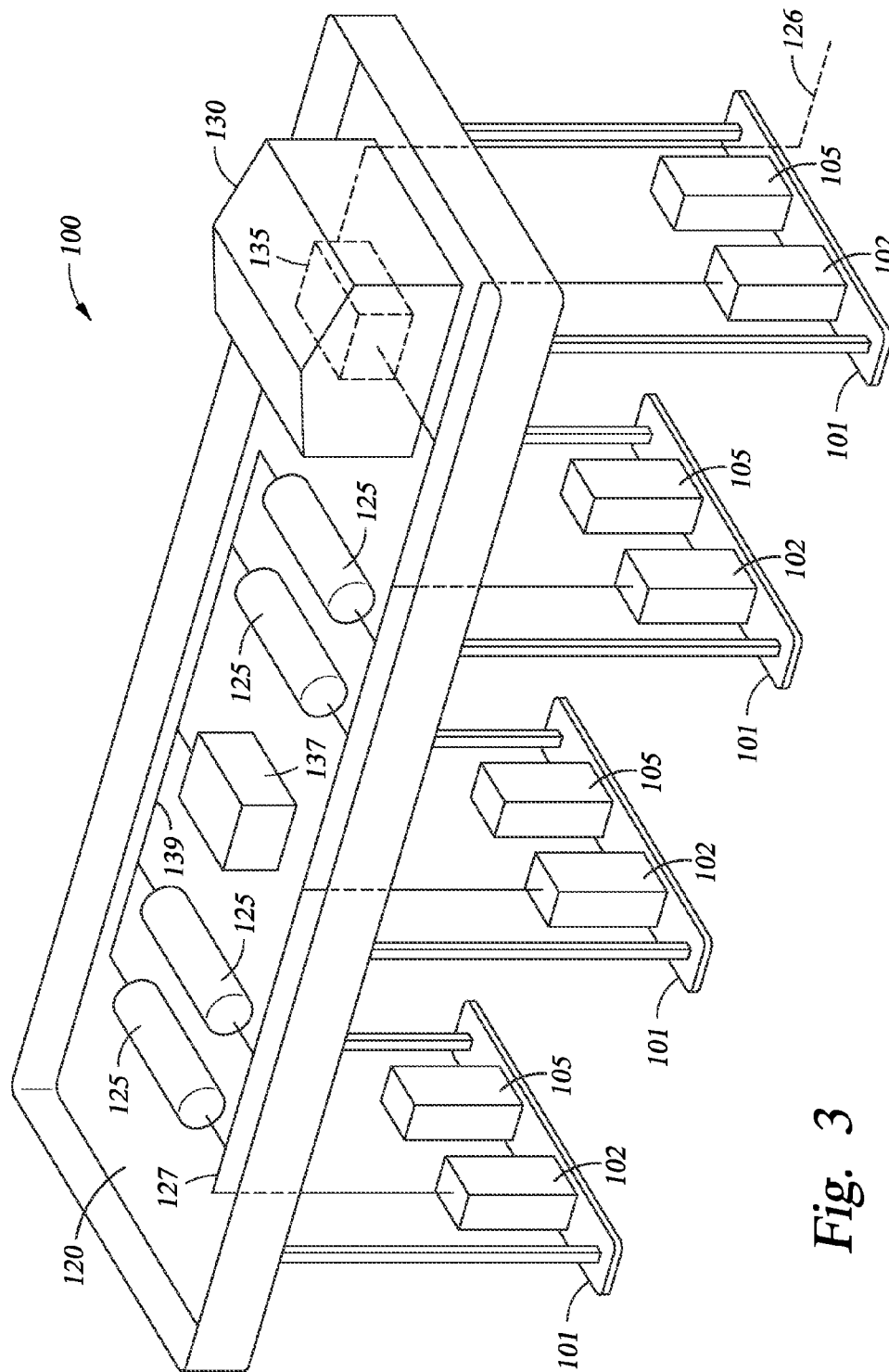


Fig. 3

1

## CNG/LNG FILLING STATION

## BACKGROUND OF THE INVENTION

## Field of the Invention

U.S. natural gas production is increasing and the price of natural gas is currently lower than the price of gasoline or diesel fuel, leading to increasing interest in natural gas-based fuels for vehicles. The most common type of natural gas vehicle operates on compressed natural gas (CNG), but there is also an interest in liquefied natural gas (LNG) as a vehicle fuel, especially for commercial trucks because LNG, which is natural gas super-cooled to its liquid form, has a much higher energy density than CNG.

## Description of the Related Art

At CNG refueling stations, the natural gas is typically taken from the local gas utility's line at low pressure, compressed to around 3,600 pounds per square inch gauge ("psig"), and then stored in a vehicle's storage tanks at high pressure. For example, at a "fast-fill" CNG station, the combination of a relatively large compressor coupled with a high-pressure storage tank system fills the vehicle's storage tanks in about the same amount of time it takes to fuel a comparable petroleum vehicle. A typical fast-fill CNG station is shown in FIG. 1. Some of the major components of the fast-fill CNG station include an inlet gas line **10** (from a utility company); a dryer **15** to reduce the moisture content of the natural gas; and a natural gas compressor **20**. One example of a natural gas compressor **20** is an Ingersoll Rand compressor package, which includes a compressor, an electric motor, a motor starter, a cooler, and controls. The compressor package will increase the pressure of the natural gas in the inlet gas line **10** from about 5 pounds per square inch gauge ("psig") up to about 5,000 psig. At least one storage vessel **25** is capable of holding natural gas at about 5,000 psig and supplying the natural gas to a gas dispenser **30** for dispensing to a vehicle's storage tanks.

LNG stations are structurally similar to gasoline/diesel stations, because they both deliver a liquid fuel. FIG. 2 illustrates some typical components of an LNG station, including a storage tank **50**, a pump **55** for transmitting the liquid fuel from the storage tank **50**, some type of a card reader **60** for charging a customer for the liquid fuel, and a dispenser **65** to carry the liquid fuel to a vehicle **70**. In the mobile fueling arrangement shown in FIG. 2, LNG is delivered by a tanker truck that contains metering and dispensing equipment onboard to fill the storage tank **50**.

In addition to expenses related to construction (\$1 to \$4 million, according to the Energy Information Administration), a fueling site like the ones shown in FIGS. 1 and 2 require at least one storage tank as well as pumps/compressors. For this reason, there is interest in converting gasoline/diesel stations to those that can supply CNG/LNG. Current attempts to retro-fit existing stations have envisioned setting aside surface area for the tanks, compressors, pumps, and related equipment or even excavating the gasoline/diesel tanks and replacing them with tanks suitable for natural gas. These solutions are expensive and create a substantial change of the footprint of the filling station.

There is a need therefore, for a simple and efficient arrangement to convert or retro-fit a gasoline/diesel station into one that can also provide CNG and/or LNG.

## SUMMARY OF THE INVENTION

Embodiments of the invention generally relate to a natural gas filling station, comprising a dispenser; a structure cov-

2

ering the dispenser and having a canopy top; at least one tank disposed on the canopy top, the tank having at least one gas therein comprising CNG or LNG; and at least one line between the tank and the dispenser to communicate the CNG or LNG between the tank and the dispenser.

## BRIEF DESCRIPTION OF THE DRAWINGS

So that the manner in which the above recited features of the invention can be understood in detail, a more particular description of the invention, briefly summarized above, may be had by reference to embodiments, some of which are illustrated in the appended drawings. It is to be noted, however, that the appended drawings illustrate only typical embodiments of this invention and are therefore not to be considered limiting of its scope, for the invention may admit to other equally effective embodiments.

FIG. 1 is a drawing of a prior art CNG filling station.

FIG. 2 is a drawing of a prior art LNG filling station.

FIG. 3 is a perspective view of a filling station that is constructed or retro-fit to provide CNG/LNG in addition to gasoline and diesel fuel, according to one aspect of the invention.

## DETAILED DESCRIPTION

FIG. 3 is a perspective view of a filling station **100** that is constructed or retro-fit to provide CNG and/or LNG in addition to conventional fuels, such as gasoline and diesel fuel. Like a typical filling station, the retro-fit filling station **100** includes one or more islands **101** having one or more dispensers **102**, **105** provided thereon. In the embodiment shown, the dispensers **102** are constructed and arranged to provide CNG and/or LNG, while the other dispensers **105** provide conventional fuels, such as gasoline and diesel. Also, like conventional filling stations, the filling station **100** in FIG. 3 includes a canopy **120** (or other similar type of support structure) to cover the dispensers **102**, **105** and the vehicles being re-fueled using the dispensers **102**, **105**.

In the embodiment shown, the upper surface of the canopy **120** (e.g. the top of the canopy **120**) is used to hold one or more tanks **125** containing CNG and/or LNG, and to hold one or more lines **127** that are available to and from the tanks **125** for receiving fuel (e.g. CNG and/or LNG) and for dispensing the fuel to the dispensers **102** and thus to vehicles underneath. In each retro-fit case, the canopy **120** can be reinforced as needed to safely bear the weight of the tanks **125** and their contents. In the case of CNG, the load added to the canopy **120** is essentially limited to the weight of the tanks **125** themselves as a cubic meter of natural gas weighs only 0.714 kilograms.

At an end of the canopy **120** is a superstructure **130** housing one or more compressors **135** related to CNG as described above in relation to FIG. 1. In addition to the compressors **135**, the upper surface of the canopy **120** and the superstructure **130** can hold a variety of equipment related to natural gas fuel including supply tanks and/or accumulators upstream of the compressors, as well as pumps, filters, dryers, etc. In one embodiment, one or more pumps **137** are disposed on the upper surface of the canopy **120** and constructed and arranged to pump LNG into one or more of the tanks **125** via one or more lines **139**. In this manner, no additional "real estate" is necessary for a conversion of a conventional gas/diesel filling station to one configured to supply natural gas.

In the case of CNG, a line **126** runs from a utility line for supplying natural gas at a low pressure to the compressors

3

135 in the superstructure 130, which compress the natural gas to a higher pressure, and another line 127 runs from the compressors 135 to one or more of the tanks 125 for storing and holding the compressed natural gas. In the case of LNG, the liquid fuel is typically delivered by truck and pumped into the tanks 125 provided for that fuel, via the pumps 137 and lines 139 for example. One or more flow control devices, such as valves, chokes, etc., as known in the art can be coupled to the lines 126, 137, 139 to control the flow of the gas, CNG, and/or LNG to and from the compressors 135, the pumps 137, the tanks 125, and/or the dispensers 102 as needed.

There are a number of advantages to designs like the one shown in FIG. 3. First, inherent problems associated with placing the tanks 125 on or below ground are avoided. For example, CNG tanks, because they are filled with a gas, have necessarily been mounted at ground level because high floatation of the tanks requires substantial anchoring to prevent flotation when the tanks are buried in the ground. LNG tanks can be more easily buried but in any case the ground must be excavated to hold the tanks that are necessarily well insulated and made from a material which can withstand the extreme cold (-260 degrees Fahrenheit) of the liquefied natural gas they are holding. The placement of equipment on the top or upper surface of the canopy 120 is also an improvement from a safety standpoint as it removes the tanks from the already crowded area and confined space around a typical filling station, such as filling station 100. Additionally, where the natural gas is lighter than air, putting the tanks 125 on the upper surface of the canopy 120 improves safety in the event of a leak occurring. Specifically, the natural gas will leak into the atmosphere at a location high above and away from individuals and vehicles at the filling station 100, whereas if the tanks 125 were on or below ground, then individuals and vehicles are at risk of being directly exposed to the natural gas leak. The arrangement also increases efficiency as it permits the compressors 135 and tanks 125 to be closer to the dispensers 102 and the fueling point, thereby facilitating a quick-fill application.

In addition to space savings and the avoidance of buried tanks, the infrastructure expense is greatly reduced on conversions of existing stations by not running the high pressure piping underground from the compressors 135 to the dispensers 102. In the embodiment described and shown in FIG. 3, the piping (e.g. the lines 127) runs along the upper surface of the canopy 120 and down an existing upright. Finally, as stated above, because natural gas is lighter than air, having it above the fueling zone results in a safer design.

4

While the foregoing is directed to embodiments of the invention, other and further embodiments of the invention may be devised without departing from the basic scope thereof, and the scope thereof is determined by the claims that follow. For example, the embodiment shown and described presumes a retro-fit arrangement that provides natural gas, e.g. CNG and/or LNG, as well as conventional fuel. However, the design can be just as easily utilized in a new station and the invention is not limited to one where different fuel types are available. Additionally, the essence of the invention is elevating equipment related to fuel at a filling station, and the principles of the invention are usable in any number of ways and are not strictly limited to the elevation of equipment by utilizing a canopy top.

The invention claimed is:

1. A natural gas filling station, comprising:
  - a dispenser;
  - a structure covering the dispenser and having a canopy top;
  - at least one tank disposed on the canopy top, the tank having at least one gas therein comprising CNG or LNG; and
  - at least one line between the tank and the dispenser to communicate the gas between the tank and the dispenser.
2. The station of claim 1, further comprising a compressor disposed on the canopy top, the compressor constructed and arranged to provide CNG to the tank.
3. The station of claim 2, further comprising at least one line between the compressor and a utility line configured to supply the gas to the compressor.
4. The station of claim 1, further comprising a pump disposed on the canopy top, the pump constructed and arranged to pump LNG to the tank.
5. A method of providing natural gas at a filling station, comprising:
  - pumping and storing CNG or LNG into a tank disposed on an upper surface of a structure covering a dispenser;
  - supplying CNG or LNG from the tank to the dispenser; and
  - dispensing the CNG or LNG from the dispenser to a vehicle.
6. The method of claim 5, further comprising pumping CNG or LNG into the tank using a compressor or a pump.
7. The method of claim 6, further comprising supplying natural gas from a utility line to the compressor.

\* \* \* \* \*